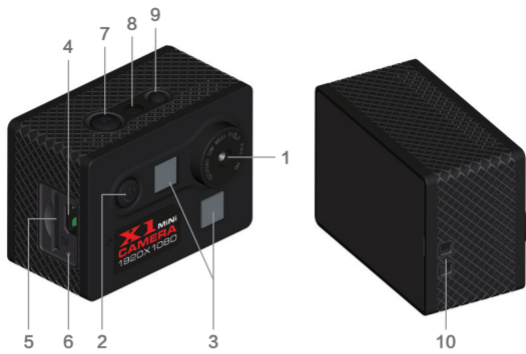




1080夜视运动DV使用说明书

产品特点:

真正1080P夜视运动DV，带红外夜视（肉眼看不见），外形小巧大方，便携便利，适用于极限运动，航拍，家用，户外，最大支持128G TF卡，录制高清视频效果，内置电池高达500毫安，超长不间断连续摄像70分钟，配美国OV2710的SENSOR与台湾进口5玻镜头，图像效果真高清，对TF卡的要求相对偏高，最低支持8GB 以上TF卡，C10标准。



1. 摄像头 2. 开机ON/OFF 3. 红外夜视灯 4. USB口 5. TF卡口
6. 复位口 7. 模式按键 8. 指示灯 9. 红外灯控制按键 10. 挂绳

运动DV尺寸: 长37.8MM宽26.8MM厚度19.2 MM

产品特点

- 红外夜视高清DV
- 高品质图像高清FULL HD1080P DV DC
- 视频格式为: 1920X1080P
- 拍照模式为: 12M (4032X3024)
- 高速传输的USB 2.0接口
- 最大可支持128G的T-flash卡
- 内置锂电池500毫安可持续摄像达70

操作指南

充电:

本机内置可充电锂电池，初次使用本机时，请先进行充电，可以通过以下方式充电:

- 1) 连接电脑充电，或者链接USB DC充电。
- 2) 边充边录，可以录像的同时也可以充电。
- 3) 无内存TF卡充电，没有插入TF卡充电，DV蓝灯长亮，充满电后红蓝色灯同时亮表示充满。
- 4) 有卡充电，本机直接进入边充边录像，可以手动停止录像，充电。

注意: 当电池电量不足时DV 灯会双闪，然后直接关机进入保护状态，（保存文件及自动关机）录制文件已经保存，此时，请对本机进行充电。

使用前格式化TF卡:

初次使用本机对TF卡格式化一次，确保使用流程，开机蓝灯长亮待机模式下，长按模式按键2秒左右红蓝灯双闪，进入格式化TF卡，格式化完成，T卡清空，回到蓝灯长亮待机模式。

摄像不闪灯（1080P录像）:

点按开机按键1秒左右，开机后蓝灯长亮待机，待机模式下，再按开机按键1次，蓝灯闪烁3下灭，进入1080P录像模式，5分钟一段自动循环覆盖，再点按开机按键1次停止录像待机。

拍照1200万:

开机蓝灯长亮待机模式下，点按模式按键1次，红灯闪烁一次，为拍照一张后回到蓝灯长亮待机模式，再拍再按即可。


红外灯开启:

在开机蓝灯长亮待机模式下，按红外灯按键一次蓝灯长亮红灯闪烁2次为开启红外夜视灯（肉眼看不见红外灯开启），此时再按开机按键一次蓝灯闪3下进入摄像。

红外灯关闭:

在蓝灯待机模式下，点按红外灯按键1次，蓝灯长亮，红灯闪4下，为关闭红外灯。开机无卡，红蓝灯双闪10秒自动关机，开机蓝灯长亮，没进入任何模式，1分钟自动关机。

自行时间修改设置:

插入U盘模式，在U盘TF卡里面的更目录会出现一个TXT文件如图： 打开编辑自己需要的时间，再点击保存，格式（年与日时分秒）20170818123800 Y 再拔掉USB，开机录像，会自动保存时间水印。

取消不需要时间水印也是同样操作方式，主要是修改TXT的文本文件的最尾部的Y，把Y改成N后，再点击保存，既不会出现时间水印。

- 参考样式 1: 20170818123800 Y （有时间水印显示）
2: 20170818123800 N （无时间水印显示）

连接电脑:

在关机状态，可直接连接电脑，连接电脑后可作为U盘使用，可自由进行文件的复制，剪贴，删除，格式化U盘。

把本机插入电脑USB口，数秒后电脑将会弹出可移动磁盘标识，指示灯亮识别USB设备可以进行数据传输，同时也给本机充电。

提示:

- a. 本机连接电脑后，如果电脑无法识别，（看卡的大小，卡越大读盘就越慢，超过1分钟后仍未弹出可移动磁盘标识，请复位重新插拔一次。
- b. 建议用T卡读卡器直接读取视频文件进行播放，而通过USB连接直接播放保存在本录像机内置存储器里的视频文件，可能会因为数据量过大，传输跟不上，而导致播放不顺畅。

复位:

机器出现死机，按键无效，无法正常使用，可以用尖物体对复位孔插入对机器进行复位，复位后可以正常使用。

关机:

在停止（录像，拍照，功能模式下后，需要关机，长按ON/OFF按键2-3秒左右关机。

相关参数

项 目	相 关 参 数
视频编码	AVI
视频分辨率	1920X1080P
视频帧率	30 fps
播放软件	操作系统自带或主流影音播放软件
图片格式	JPG
影像比例	16:9
支持系统	Windows me/2000/xp/2003/vista; Mac os; Linux;
电池容量	500mAh
工作时间	约70分钟
充电电压	DC-5V
接口类型	Mini 5Pin USB
存储支持	TF 卡
电池类型	大容量聚合物锂电

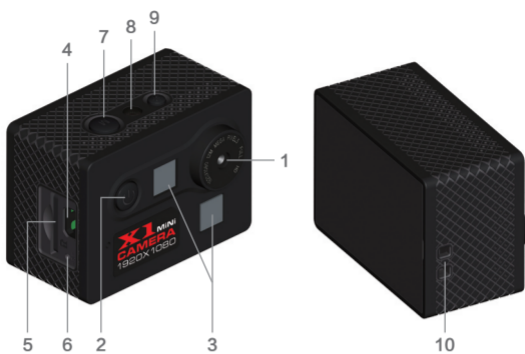
注意事项:

使用场合: 敬请严格遵守国家相关法律，不得将此产品用于任何非法用途，否则后果自负。
 工作温度: 请在自然温度下使用，请勿在人体不能适应的温度下工作。
 工作湿度: 请在人类适宜生活的环境湿度下使用，请勿将产品置于潮湿的工作环境，产品不具备防水功能，敬请避免使本产品淋水或暴露在雨水。
 拍摄照度: 请在有充足光源的环境下使用，请勿将摄像头直接对着太阳等超强光源，以免光学器件受损。
 保洁要求: 请勿在粉尘密度过大的环境下使用，以免镜头以及其它部件沾染粉尘，影响摄像效。
 废弃处理: 请注意环保，勿随意丢弃本产品。禁止把本产品投掷于火中，以免发生爆炸。



Operating manual for 1080 night vision sports DV

Product feature: Real 1080P night visions sports DV is designed with infrared night vision (invisible to the naked eyes), small and generous appearance, and convenient to carry; it is suitable for extreme sports, aerial photo, household and outdoor, and supports 128G TF card. It has the function of recording high-definition video, and the built-in battery is up to 500 mA. Super long interrupted continuous shooting reaches 70 minutes. It is equipped with the U.S. OV2710 SENSOR and 5-layer glass lens imported from Taiwan. The image effect has high definition. It has higher requirements on TF card and support for TF card with 8GB or more, and follows C10 standard.



- 1.Camera 2.Starting up ON/OFF 3.Infrared night vision light
- 4.USB port 5.TF card port 6.Reset port 7.Mode button 8.Indicator light
- 9.Control button of infrared lamp 10.Sling

The sports DV size:

37.8MM length, 26.8MM width, 19.2 MM thickness

Features

- Infrared night vision high-definition DV
- Quality image, HD FULL HD1080P DV DC
- Video format: 1920X1080P
- Camera mode: 12M (4032X3024)
- USB 2.0 interface of high-speed transmission
- Support max. 128G T-flash card
- Built-in lithium battery 500 mA, camera shooting for 70 minutes.

Operation instruction

charging:

The built-in lithium battery is chargeable. Please charge it at the first time of using it through the following ways:

- 1) Charge it by connecting computer or by linking with USB DC.
- 2) Charging and video recording can be simultaneously done.
- 3) For charging without memory TF card charging and charging without TF card, DV blue lamp lights up for a long time; red lamp and blue lamp light up at the same time after the battery is charged, which shows that the device is full of electricity.
- 4) For charging with card, this device can record video when charged, and the recording and charging can be stopped manually.

Notes: When battery is low, the two lamps of the DV flash, and then the device is shut down and enters a protection state. (Saving file and automatic shutdown) The recorded file has been saved. At this moment, please charge the device.

Format the TF card before using:

When using the device for the first time, it is necessary to format TF card to ensure the use. After starting up, the blue lamp is on. In the standby mode, after the mode button is pressed for about 2 seconds, red lamp and blue lamp flash at the same time to format the TF card. After the completion of formatting, the TF card is empty, and the device returns to the standby mode with blue lamp on.

Camera non-flashing light (1080P video):

Starting button is pressed for about 1 second. After starting up, the blue lamp lights up. After the starting button is pressed once, the blue lamp flashes 3 times and then goes out. The device enters the 1080P video mode, and with 5 minutes of automatic cycle coverage. The starting button is pressed once to stop recording and enter the standby mode.

Taking 12 million pixels photos:

After starting up, the blue lamp lights up. After the mode button is pressed once, the red lamp flashes once. The device returns to the standby mode with blue lamp on after taking a picture. Press again for taking another photo.

Infrared lamp is on:

In the standby mode with the blue lamp on, after the infrared lamp button is pressed once, the blue lamp lights up, and the red lamp flashes twice to turn on the infrared night vision lamp, (the infrared lamp is not visible to the naked eyes). After the starting button is pressed once at this time, the blue lamp flashes three times and the device starts to record.

Infrared lamp is off:

In the standby mode with blue lamp on, after the button of infrared lamp is pressed once, the blue lamp lights up, and the red lamp flashes four times to turn off the infrared lamp.

When starting up without the card, red lamp and blue lamp flash for 10 seconds, and the device is automatically off. At this time, the blue lamp lights up, and the device is not in any mode. The device is automatically off in 1 minute.

Modify time setting:

Mode of U disk inserted: at the root directory of TF card of U disk there will be a TXT file  ; open the file and edit your desired time, then save, then format: yyyymmddhhmmss, Y; then unplug the U disk; when start it up and begin recording video, the time watermark will be autosaved.

If you don't want the time watermark to be displayed, change the Y at the end of the TXT file to N, then click SAVE, the time watermark will not be displayed.

- Reference format 1: 20170818123800 Y (Display time watermark)
- 2: 20170818123800 N (No time watermark)

Computer connection:

Under power-on and power-off status, the DV can be directly connected to computer. After connecting to computer, the DV can be used as U Disk. Users can copy, cut, paste and delete files or format U Disk.

Insert the DV into computer USB port, the computer will pop up removable disk logo after several seconds and indicators will be on. At that time, USB device can be used for data transmission. At the same time, the DV is being charged.

Tips:

- a. After connecting to computer, if the computer does not pop up removable disk logo for more than one minute (depending on the card memory size, the bigger the memory is, the lower the reading speed is), please insert it again.
- b. It is recommended to use T card reader to directly read video files for playing back. Playing back the video files saved in the DV directly by connecting USB may cause unsmooth effect for the transmission cannot keep up due to large data amount.

Reset:

When the DV crashes, the button is valid for normal use, users can use a sharp object to insert into the reset hole and avoid resetting the DV. After resetting, the DV can be normally used.

urn off:

After stopping video recording, picture taking and other function mode, it is necessary to turn the DV off. Press ON/OFF button for about 2-3 seconds.

Relevant parameters

Item	Relevant parameters
Video coding	AVI
Video resolution ratio	1920X1080P
Frame rate of video	30 fps
Player software	Built-in software of operating system or mainstream media players
Picture format	JPG
Imaging scale	16:9
Support system	Windows me/2000/xp/2003/vista; Mac os; Linux;
Battery capacity	500mAh
Working time	About 70 minutes
Charging voltage	DC-5V
Interface type	Mini 5Pin USB
Storage support	TF card
Battery type	High volume polymer lithium battery

Precautions:

Scope of using: Please strictly abide by relevant state laws. Do not use this product for any illegal purpose. Operating temperature: Please use the product under natural temperature instead of the temperature under which human body cannot adapt to.

Operating humidity: Please use the product under the humidity suitable for human life. Please do not place the product in a wet environment and avoid exposing the product to water or rain.

Shooting illumination: Please use the product in the environment with sufficient light. Do not directly expose the camera to the sun or other strong light source to avoid damage to optical lenses.

Cleaning: Do not use the product in a dusty environment to avoid the impact on the shooting effect as a result of contaminated camera or other parts.

Waste disposal: Please note environment protection and do not discard the product anywhere. Prohibit throwing the product in a fire to avoid explosion.